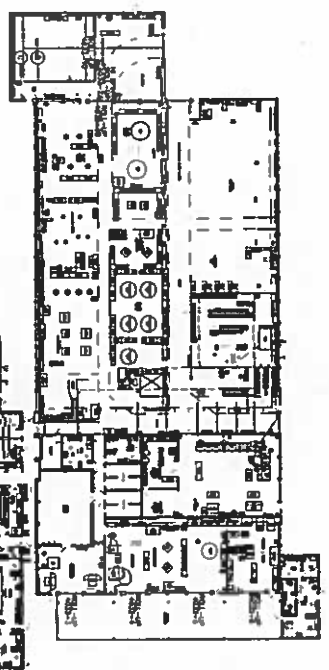
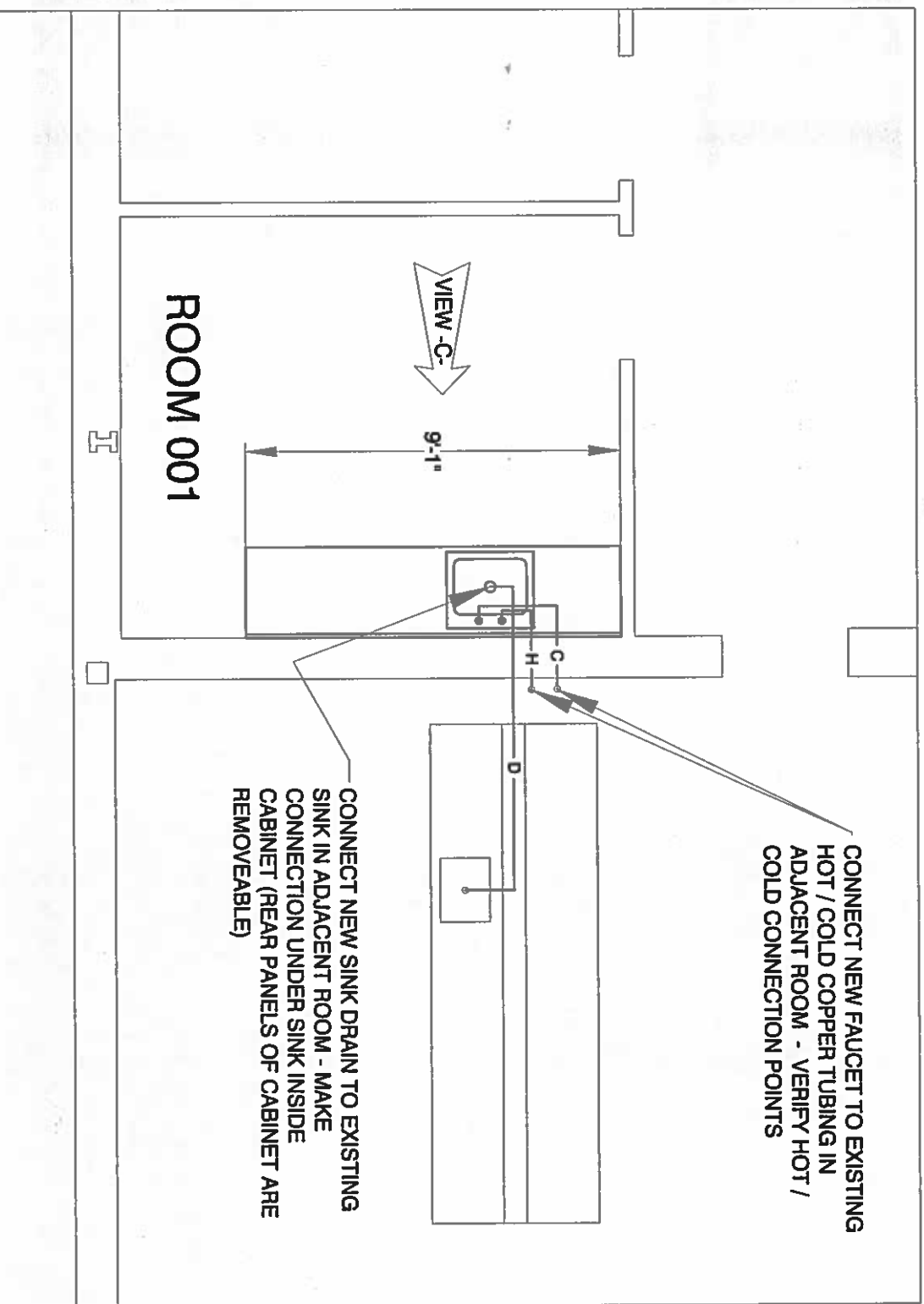


**NEW WORK - PARTIAL PLAN VIEW  
(PLUMBING)**



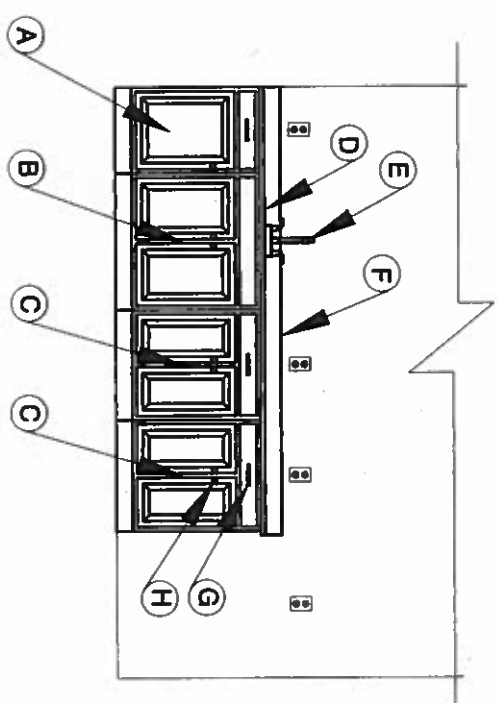
**WORK LOCATION PLAN**

**WORK ORDER #WZ70921  
ENCLOSURE (2)  
SHEET 1 OF 5**



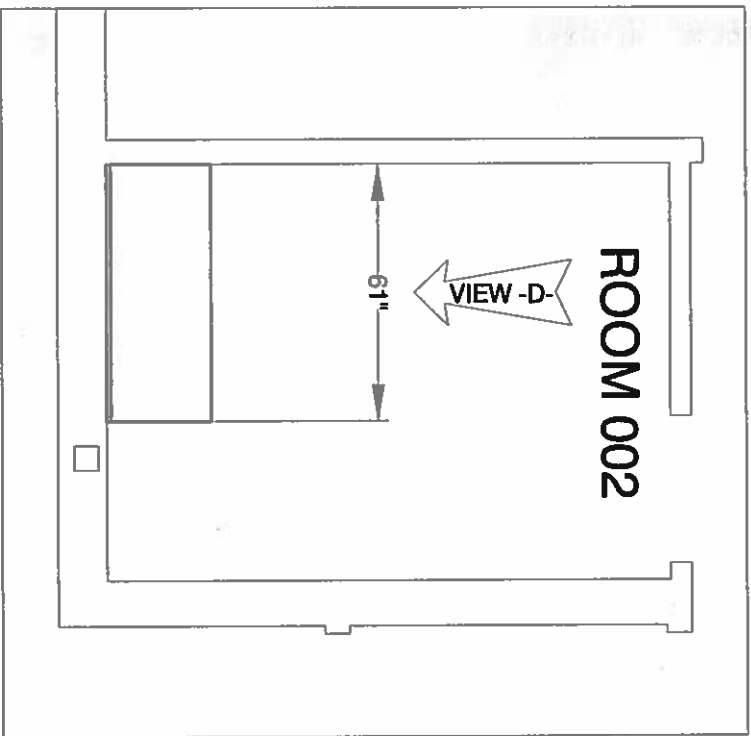
**ENLARGED VIEW OF WORK AREA -A-  
(PLUMBING)**

LEGEND	
—C—	TYPE L COPPER TUBING; VERIFY SIZE W/ FAUCET MANUFACTURER
—H—	TYPE L COPPER TUBING; VERIFY SIZE W/ FAUCET MANUFACTURER
—D—	1 1/2" SCH 40 PVC

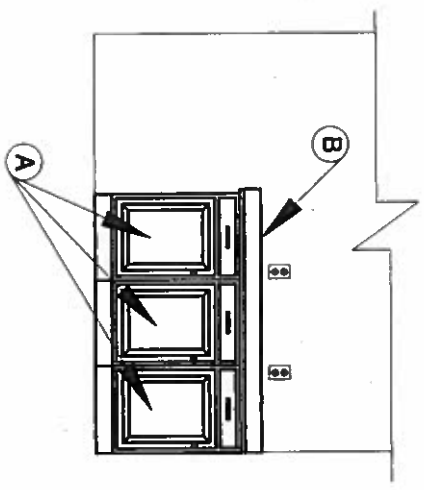


**VIEW -C-**

LEGEND	
(A)	KITCHEN CLASSICS 21" (M) X 35" (H) X 23.75" (D) FINISHED CHEYENNE BIRCH DOOR AND DRAWER BASE CABINET - EQUAL TO LOWES ITEM #566239
(B)	KITCHEN CLASSICS 33" (M) X 35" (H) X 23.75" (D) FINISHED CHEYENNE BIRCH SINK BASE CABINET - EQUAL TO LOWES ITEM #566242
(C)	KITCHEN CLASSICS 27" (M) X 35" (H) X 23.75" (D) FINISHED CHEYENNE BIRCH DOOR AND DRAWER BASE CABINET - EQUAL TO LOWES ITEM #56640
(D)	HOUSER GLOWTONE 20-GAUGE SINGLE BASIN DROP IN STAINLESS STEEL KITCHEN SINK - EQUAL TO LOWES ITEM #398596
(E)	PEERLESS CHROME 2-HANDLE BAR FAUCET - EQUAL TO LOWES ITEM #89235
(F)	10 FT BELANGER FINE KALAHARI TOPAZ/MATTE STRAIGHT LAMINATE KITCHEN COUNTERTOP - EQUAL TO LOWES ITEM #599574
(G)	STYLE SELECTIONS 3" CENTER TO CENTER BRUSHED SATIN NICKEL BAR CABINET PULL - EQUAL TO LOWES ITEM #99102
(H)	STYLE SELECTIONS BRUSHED SATIN NICKEL MUSHROOM CABINET KNOB - EQUAL TO LOWES ITEM #231698



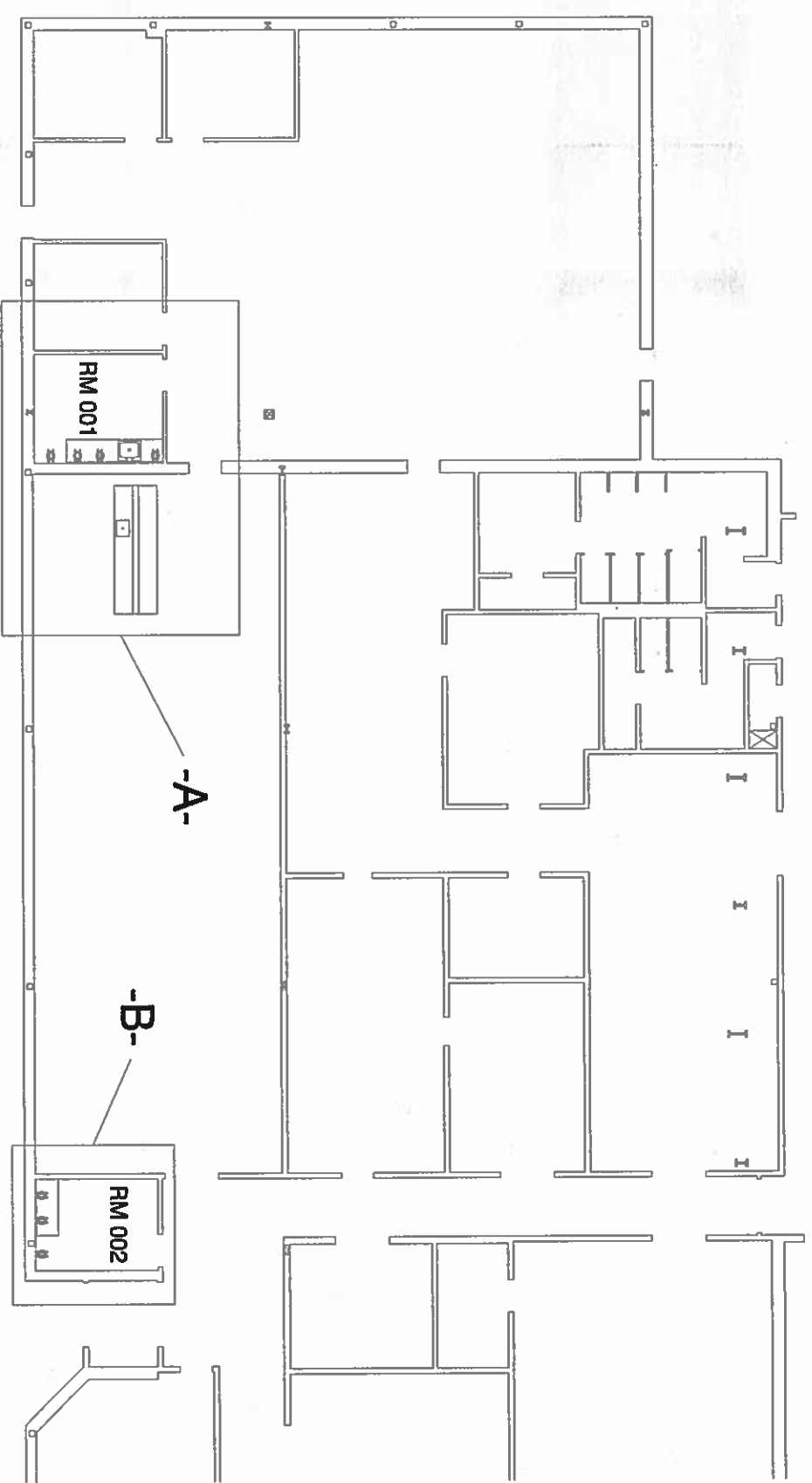
**ENLARGED VIEW OF WORK AREA -B-**



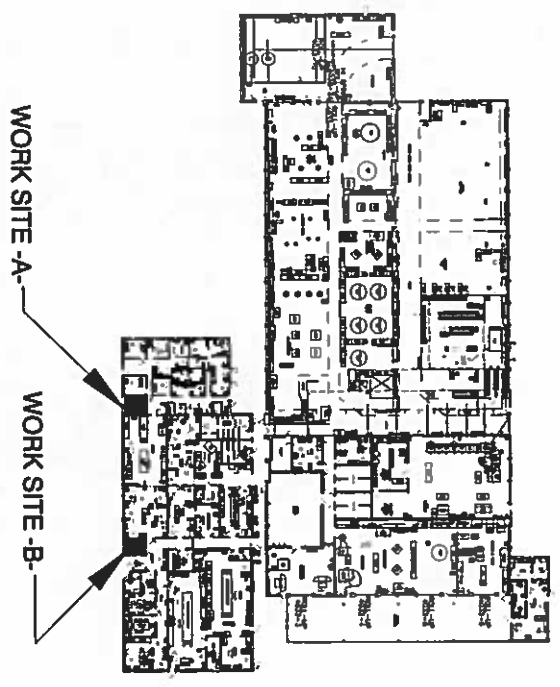
**VIEW -D-**

<b>LEGEND</b>	
(A)	KITCHEN CLASSICS 21" (W) X 35" (H) X 23.75" (D) FINISHED CHEYENNE BIRCH DOOR AND DRAWER BASE CABINET - EQUAL TO LOWES ITEM #566239
(B)	6 FT BELANGER FINE KALAHARI TOPAZ/MATTE STRAIGHT LAMINATE KITCHEN COUNTERTOP - EQUAL TO LOWES ITEM #599570

**WORK ORDER #WZ70921  
ENCLOSURE (2)  
SHEET 3 OF 5**

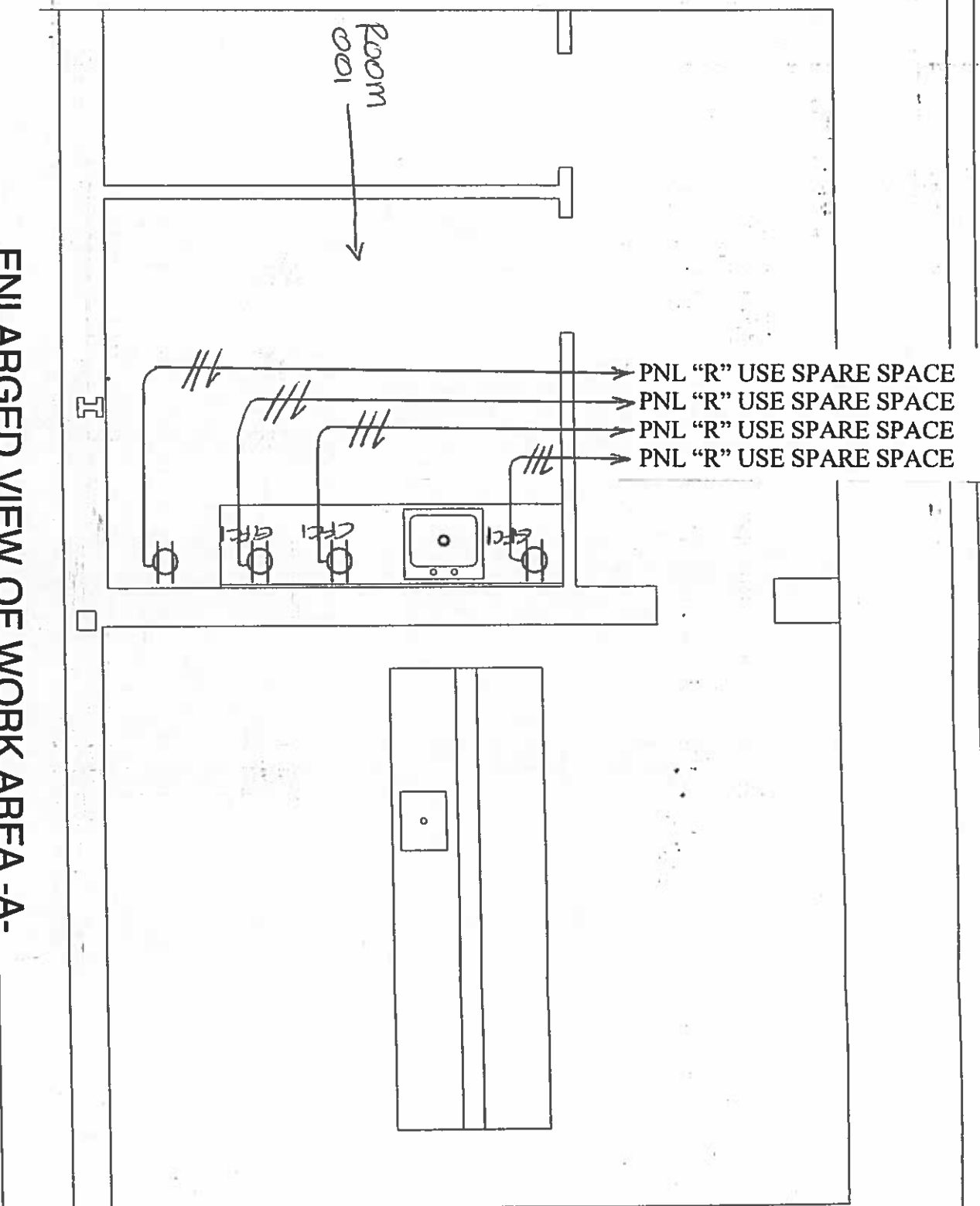


**NEW WORK - PARTIAL PLAN VIEW  
(ELECTRICAL)**

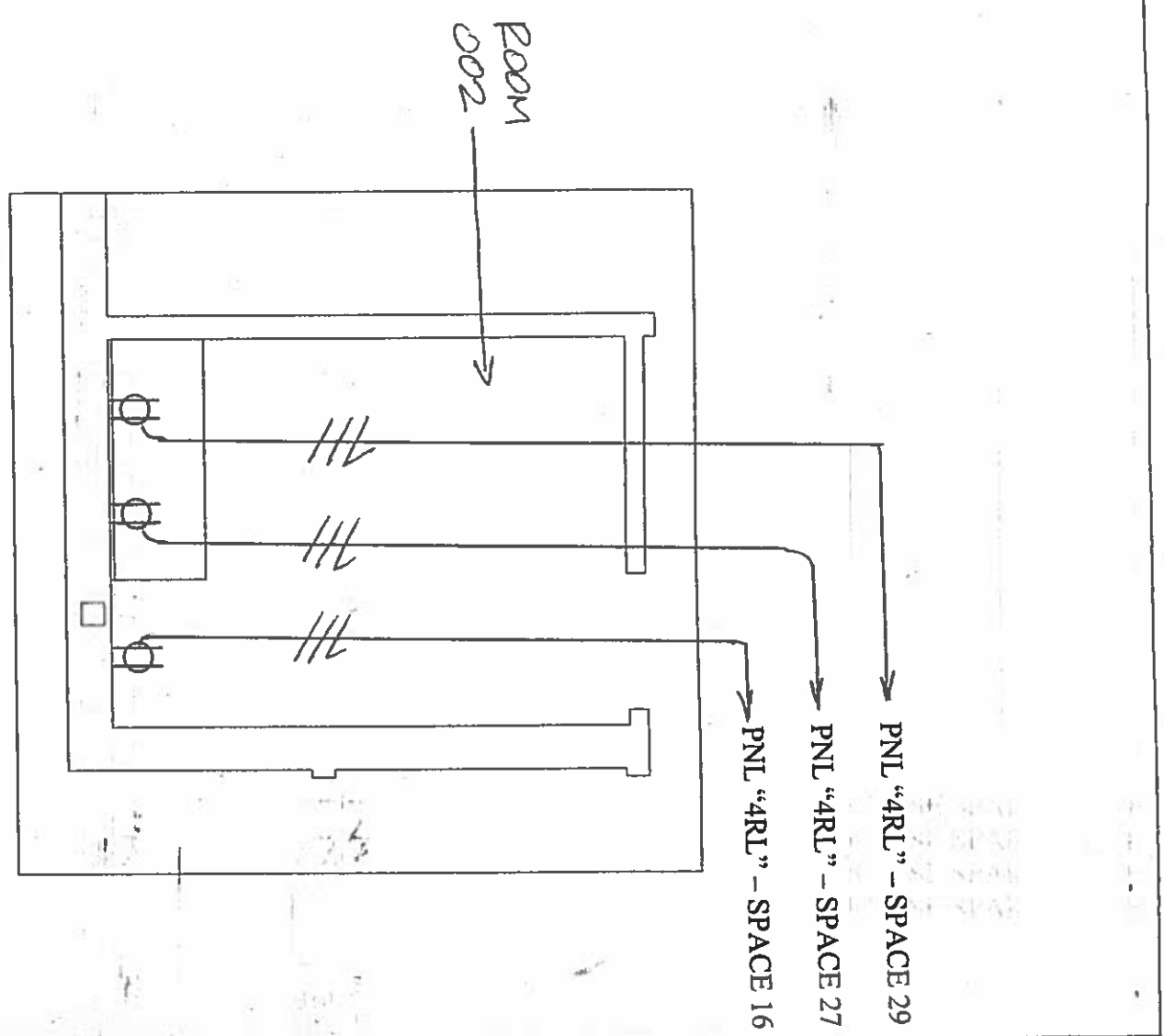


**WORK LOCATION PLAN**

**WORK ORDER #WZ70921  
ENCLOSURE (2)  
SHEET 4 OF 5**



**ENLARGED VIEW OF WORK AREA -A-  
(ELECTRICAL)**



**ENLARGED VIEW OF WORK AREA -B-  
(ELECTRICAL)**

**NOTES**

1. EACH RECEPTACLE SHALL BE ON ITS OWN CIRCUIT BREAKER DUE TO LOAD REQUIREMENTS.
2. ALL INSTALLATION WORK SHALL BE IN ACCORDANCE WITH LATEST EDITION OF THE NATIONAL ELECTRIC CODE (NEC).
3. WORK SHALL BE INSTALLED INSIDE THE WALL CAVITY AND ABOVE DROPPED CEILING. THERE SHALL BE NO "ON WALL" WIRING.
4. DUPLEX RECEPTACLES SHALL BE INSTALLED ABOVE THE COUNTER BACK SPLASHES AND ALLOW FOR DEVICE COVERS WHICH MEANS THE BOTTOM OF THE BOXES SHALL BE A MINIMUM 42 INCHES ABOVE THE FINISHED FLOOR.
5. DEVICES SHALL BE WHITE WITH BRUSHED STAINLESS STEEL COVERS.
6. CONTRACTOR SHALL PROVIDE NEW BREAKERS FOR EACH CIRCUIT BEING INSTALLED AND SHALL RETURN UNUSED EXISTING GOVERNMENT OWNED BREAKERS FROM PANEL "4RL" TO THE FRC EAST POINT OF CONTACT.

**LEGEND**

- $\#$  1 - #12 BLK. THHN, 1 - #12 WHT. THHN, 1 - #12 GRN. THHN (STRANDED CONDUCTORS) IN 1/2 INCH EMT CONDUIT.
- $\Phi$  120 VAC, 20 AMP RATED DUPLEX RECEPTACLE, WHITE WITH BRUSHED STAINLESS STEEL COVERS (CONTRACTOR SHALL CONNECT CIRCUIT WIRES TO RECEPTACLES USING THE RECEPTACLE SCREWS AND NOT THE "SLIDE IN" QUICK CONNECTIONS.

$\Phi$  120 VAC, 20 AMP GFCI RATED DUPLEX RECEPTACLE, WHITE WITH BRUSHED STAINLESS STEEL COVERS (CONTRACTOR SHALL CONNECT CIRCUIT WIRES TO RECEPTACLES USING THE RECEPTACLE SCREWS AND NOT THE "SLIDE IN" QUICK CONNECTIONS.)

WORK ORDER # W170921 ENC (2) SHEET 5 OF 5